



SAAB

R5 SOLID

THE COMPACT AIS SOLUTION



R5 SOLID AIS

The SAAB R5 SOLID AIS is our fifth generation transponder system, building on the success of the R4 AIS system, in operation on some 20,000 ships world-wide.

The R5 system features cutting edge digital radio technology, resulting from over five years of research on software defined radios. Sharing radio technology with military grade systems, the R5 technology is a big leap forward into the future of AIS radios.

The highly versatile R5 platform will continue to evolve as new requirements are introduced, and will stay at the forefront of AIS technology for many years to come.

The SOLID technology provides the user with a flexible, future proof product. It has compact design and is easy to install and operate and has a variety of interfaces for connection to other systems.

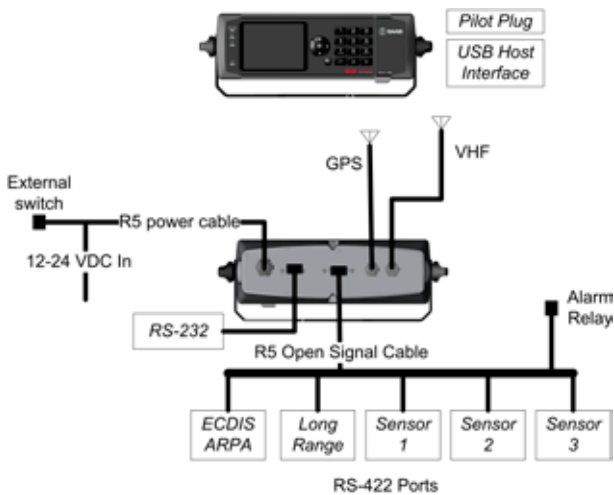
MAIN FEATURES

- Quick installation with single box solution
- Designed for 12–24 VDC power input
- Weather protected design
- Intuitive graphical user interface
- Integrated Pilot plug
- Colour display
- Support for USB peripherals
- RS-232 and RS-422 interfaces
- Light sensor for automatic dimming
- Integrated illuminated keypad
- SART alarm
- SART test support
- SRM and Binary Text messaging
- Quick SW upgrade from USB memory
- VHF communication test function
- Designed for ITU-R M.1371-5
- Gimbal or flush mounting
- Inland AIS Mode
- Inland ETA/RTA and Water levels
- New Inland Quick Convoy size setting
- External Blue Sign/Silent Switch

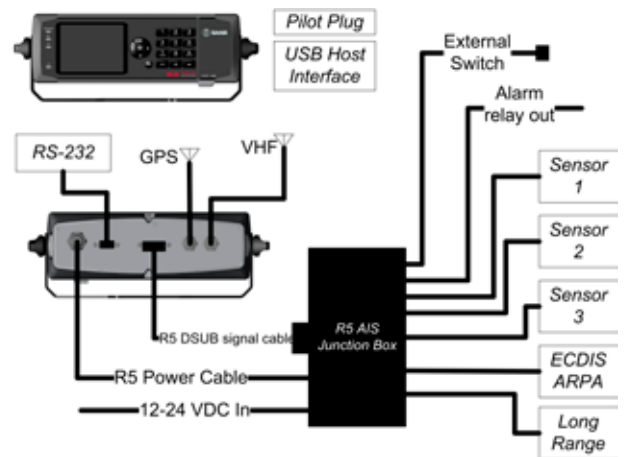


SAAB

R5 SOLID



R5 SOLID with R5 AIS Junction Box



TECHNICAL SPECIFICATIONS

PHYSICAL

Transponder size (WxHxD): 238x87x173 mm

Weight: 1.80 kg

POWER INPUT 12–24VDC

POWER CONSUMPTION

Transponder 20W (60W peak);

GPS RECEIVER (AIS INTERNAL)

50 channel

Frequency: L1 (1575.42 MHz)

Update rate: 1 Hz

Antenna feed: 5VDC

Position accuracy (SA off):

Position <2.0 m DGPS (CEP)

Position <2.5 m GPS (CEP)

Sensitivity: Tracking –162 dBm

Cold Start –148 dBm

Specifications subject to change without notice

ELECTRICAL INTERFACES

Back:

2 RS-422 I/O

3 RS-422 Sensor Input

1 RS-232 I/O

1 Digital Input (blue sign/silent)

Alarm Relay output

Front:

Integrated RS-422 Pilot Plug I/O

USB 1.1

VHF TRANSCEIVER

SDR Transceiver

Frequency 156–163 MHz Output power

1/12.5W (±1.5 dB) Sensitivity < –111 dBm

ENVIRONMENTAL DATA

Environmental approval: IEC 60945

Operating temperature: –15°C to 55°C

Storage temperature: –30°C to 80°C

www.saabgroup.com

Security and Defence Solutions

Saab TransponderTech AB

Låsblecksgatan 3

SE-589 41 Linköping, Sweden

Tel. +46 13 18 80 00

Fax +46 13 18 23 77