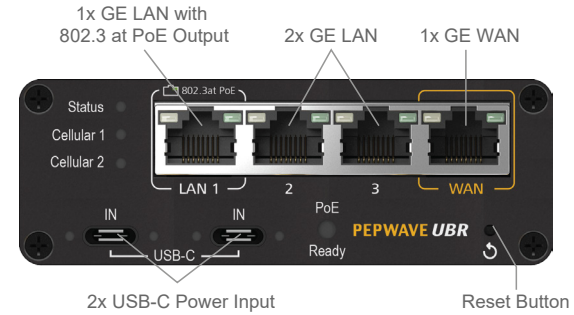


Specifications

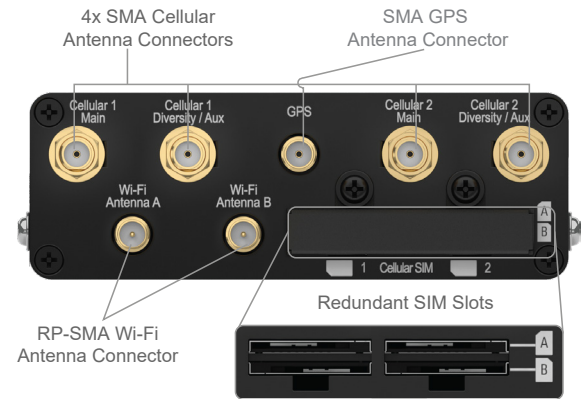
| | UBR Go |
|----------------------------------------|------------------------------------------------------------------------------------------------------------------------------------------------|
| Cellular WAN Interfaces | Dual LTE Modems |
| SpeedFusion Hot Failover | ● |
| SpeedFusion WAN Smoothing | ● ^ |
| SpeedFusion Bandwidth Bonding | ● ^ |
| Number of PepVPN SpeedFusion Peers | 5 ^ |
| WAN Interface | 1x GE |
| LAN Interface | 3x GE |
| Load Balancing/Failover | ● |
| Stateful Firewall Throughput | 400Mbps |
| SpeedFusion Throughput (No Encryption) | 100Mbps |
| SpeedFusion Throughput (256-bit AES) | 60Mbps |
| Recommended Users | 150 |
| Downlink/Uplink Datarate | 300Mbps/50Mbps (LTE-A Modem) 600Mbps/150Mbps (LTE-A Pro Modem) |
| Wi-Fi Standard | 802.11ac/a/b/g/n 2x2 MIMO |
| Transmit Power (2.4GHz / 5GHz) | 19dBm / 21dBm |
| Simultaneous Dual-Band Wi-Fi AP | ● |
| Antenna Connectors | 4x SMA Cellular, 1x SMA GPS, 2x RP-SMA Wi-Fi |
| Power Input | 2x USB-C (15V, 3A) |
| Power Output | Power over Ethernet 802.3at |
| Power Consumption | 20W (max.) |
| Dimensions | 6.3 x 3.8 x 1.3 inches / 160 x 97 x 33.5 mm |
| Weight | 1.3 pounds / 590 grams |
| Operating Temperature | -40° – 149°F / -40° – 65°C |
| Humidity | 15% – 95% (non-condensing) |
| Warranty | 1-Year Limited Warranty |
| Packing Content | UBR Go, 4x LTE Antenna, 2x Dual Band Antenna, 1x GPS Antenna, 1x 75W USBC-C Power Supply, 1x USBC to USB cable, 1 pair of Ear Mount and screws |



Front



Back



^ Requires PrimeCare Subscription, complementary for the first year.

Ordering Information

| | Product Code | Embedded Modems | Carrier/Region | Cellular Standard | 4G Bands | 3G Bands |
|-----------|---------------------|-----------------|----------------|----------------------|----------------------------------------------------------------------------------------------------------------|-------------------------------------------------------------------------|
| LTE-A Pro | UBR-GO-LTEA-R-T | 2 | America | LTE-A Pro/ CAT 12 | B1, B2, B3, B4, B5, B7, B8, B9, B12, B13, B14, B18, B19, B20, B26, B29, B30, B32, B41, B42, B43, B46, B48, B66 | HSPA+: B1, B2, B4, B5, B6, B8, B9, B19 |
| | UBR-GO-LTEA-R-T-PRM | | | | | |
| | UBR-GO-LTEA-K-T | 2 | Global* | LTE-A Pro/ CAT 12 | B1, B2, B3, B4, B5, B7, B8, B9, B12, B13, B18, B19, B20, B26, B28, B29, B30, B32, B41, B42, B43, B46, B48, B66 | HSPA+: B1, B2, B4, B5, B6, B8, B9, B19 |
| | UBR-GO-LTEA-K-T-PRM | | | | | |
| LTEA | UBR-GO-LTEA-W-T | 2 | Worldwide | LTE-A/ CAT 6 | B1, B2, B3, B4, B5, B7, B8, B12, B13, B20, B25, B26, B29, B30, B41 | WCDMA/HSPA+/DC-HSPA+: B1, B2, B3, B4, B5, B8 |
| | UBR-GO-LTEA-W-T-PRM | | | | | |
| | UBR-GO-LTEA-P-T | 2 | Asia-Pacific | LTE-A/ CAT 6 | B1, B3, B5, B7, B8, B18, B19, B21, B28, B38, B39, B40, B41 | WCDMA/HSPA+/DC-HSPA+: B1, B5, B8, B9, B19 UMTS: B6, TD-SCDMA: B39 |
| | UBR-GO-LTEA-P-T-PRM | | | | | |

* China & HK TD LTE are excluded.